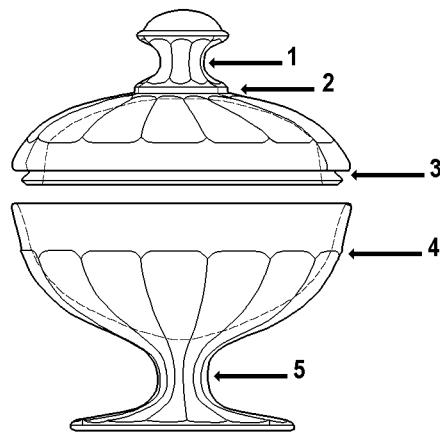
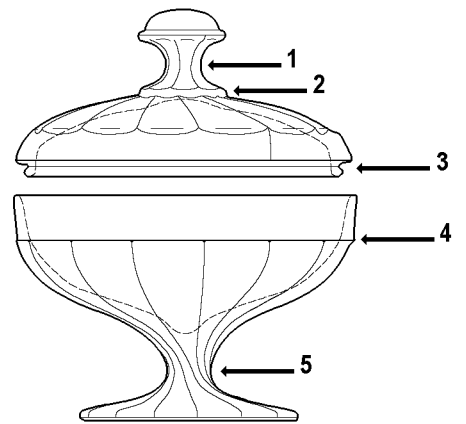


Fenton



Northwood



Diamond

- 1. Knob stem width
- 2. Knob collar
- 3. Lid lip
- 4. Panel junctions
- 5. Base stem
- 6. Base collar

FENTON
 thick, short
 thick, straight sided
 straight sided
 rounded, smooth
 thin
 mold mark

NORTHWOOD
 thick, longer
 thin, straight sided
 indented
 rounded, rough
 thick
 smooth

DIAMOND
 thin, long
 thin, rounded
 indented
 straight line
 thin
 smooth